

# Compact Line Thermal Printers

PTMBL13/21 Series

A compact and lightweight battery-powered device that prints at high speed.

## Features

- The fastest print speed as battery-driven line thermal printer.
- Flexible environmental requirements broaden possibility of its application.

Battery drive

8 dots/mm

Paper Width 58mm

PTMBL13

Paper Width 80mm

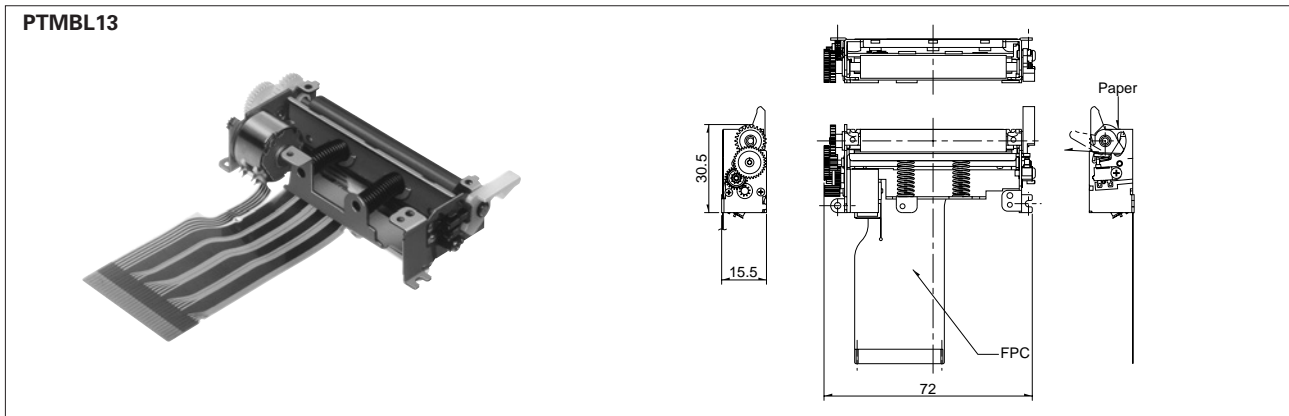
PTMBL21

Photo Printers

Direct Thermal Printers

## Dimensions

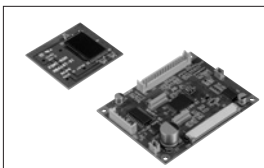
Unit : mm



## Product Specifications

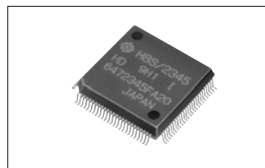
Model	PTMBL13	PTMBL21
Printing method	Line thermal	
Dot arrangement	384dots / line	576dots / line
Resolution	8dots / mm	
Print speed (max.)	75mm / sec.	
Printable width	48mm	72mm
Paper width	58mm (·)	80mm (·)
Power voltage (Head / Motor)	4.2 to 8.5V DC	
Current consumption (Head)	1.3A (at 7.2V, 64dots on)	
Operating temperature range	-25°C to +70°C	
Storage temperature range	-40°C to +85°C	
Life	Pulse resistance	1×10 <sup>8</sup> pulses or more
	Abrasion resistance	50km or longer
Dimensions	72.0×30.5×15.5mm	96.0×30.5×15.5mm
Mass	41g	71g

## Option



Control boards

PTCBL11/21



Control chip

PTCBL01



Font chip

PTCBL03